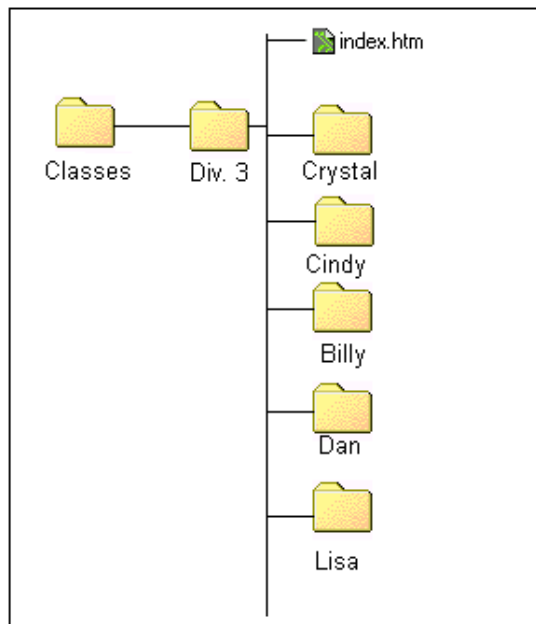


Putting Kid Pix Slide Shows on the Internet

These are only the basic instructions for putting Slide Shows on your web page. If you need to learn more about creating web pages themselves please visit sd71.bc.ca/Sd71/Edulinks/Programs/index.htm.

1. Have students create their slide shows saving where they would normally save (either L or F drive).
2. Have students create a special folder in the web page folder on the F drive to save their Internet slide show:



3. Now students should open up their slide show and save it in their folder in the web page folder. This time when they save they should go to **File** and click on **Save as *.avi**. Save the slide show in their folders (this will take a few minutes as the computer goes through the slide show and converts it).
4. On your class web page, type a link for people to click on to view the slide show (ex. **Click here to look at John's bug slideshow.**). You may decide to have students make this link on their own web pages-follow the same procedure for this.
5. Click and drag to highlight the link and create a link to the students' slide show avi file.
6. Save and preview.